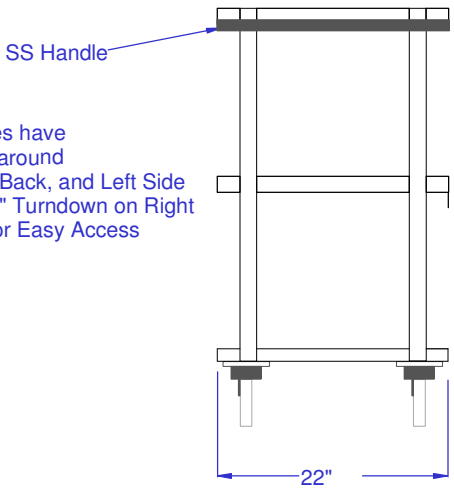



Shelves have 1" Lip around Front, Back, and Left Side W/ a 1" Turndown on Right Side for Easy Access



Approval: \_\_\_\_\_

Date: \_\_\_\_\_

	<b>Approvals</b> Drawn By J. Lamb Approved By N/A		<b>Date</b> 2/16/11		GAT-CASE-CRT-LW-41.52237.25-SS
	<b>TITLE</b> Lightweight Utility SS Case cart 3 Shelves SS Hardware 6" Casters			<b>Material:</b> SS 304 #3 16 Ga.	
<b>PROPRIETARY</b> <small>THIS DOCUMENT AND THE DATA DISCLOSED HEREIN OR HERewith IS NOT TO BE REPRODUCED, USED OR OTHERWISE DISCLOSED IN WHOLE OR IN PART TO ANYONE WITHOUT THE WRITTEN AUTHORIZATION FROM G2 AUTOMATED TECHNOLOGIES, LLC</small>		<b>SIZE</b> N/A	<b>CAGE CODE</b>	<b>DWG NO</b> GAT-CASE-CRT-LW-41.52237.25-Overall	<b>REV</b>
<b>A4</b>		<b>SCALE</b> Not To Scale		<b>SHEET</b>	